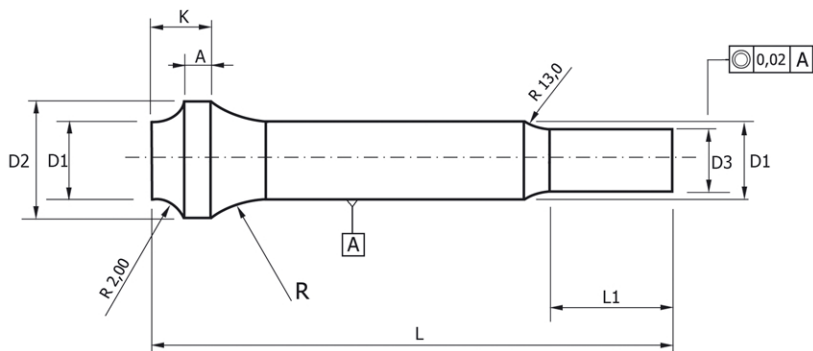


Punção de Alto Impacto com Rebaixo

MATERIAL:	Aço Rápido (HSS)
DUREZA CABEÇA:	50 ± 5 HRC
DUREZA HASTE:	60 ± 2 HRC
MEDIDAS COMERCIAIS:	Medidas marcadas com a cor cinza



D1 (h6)	D2 -0,10	R -0,20	K +0,20	A Ref.	D3 (h6)	L +1,00	L1 +0,50
5,0	7,0	10,0	4,0	1,5	3,50 - 4,99	Especificação do usuário até 100mm	Especificação do usuário
6,0	9,0				4,50 - 5,99		
7,0	10,0	12,0			5,50 - 6,99		
8,0	11,0				6,50 - 7,99		
9,0	13,0	15,0			7,50 - 8,99		
10,0	14,0				8,50 - 9,99		
11,0	15,0				9,50 - 10,99		
12,0	16,0				10,50 - 11,99		
13,0	17,0				11,50 - 12,99		
14,0	18,0				12,50 - 13,99		
15,0	19,0				13,50 - 14,99		
16,0	20,0				14,50 - 15,99		

Medidas especiais sob encomenda.